

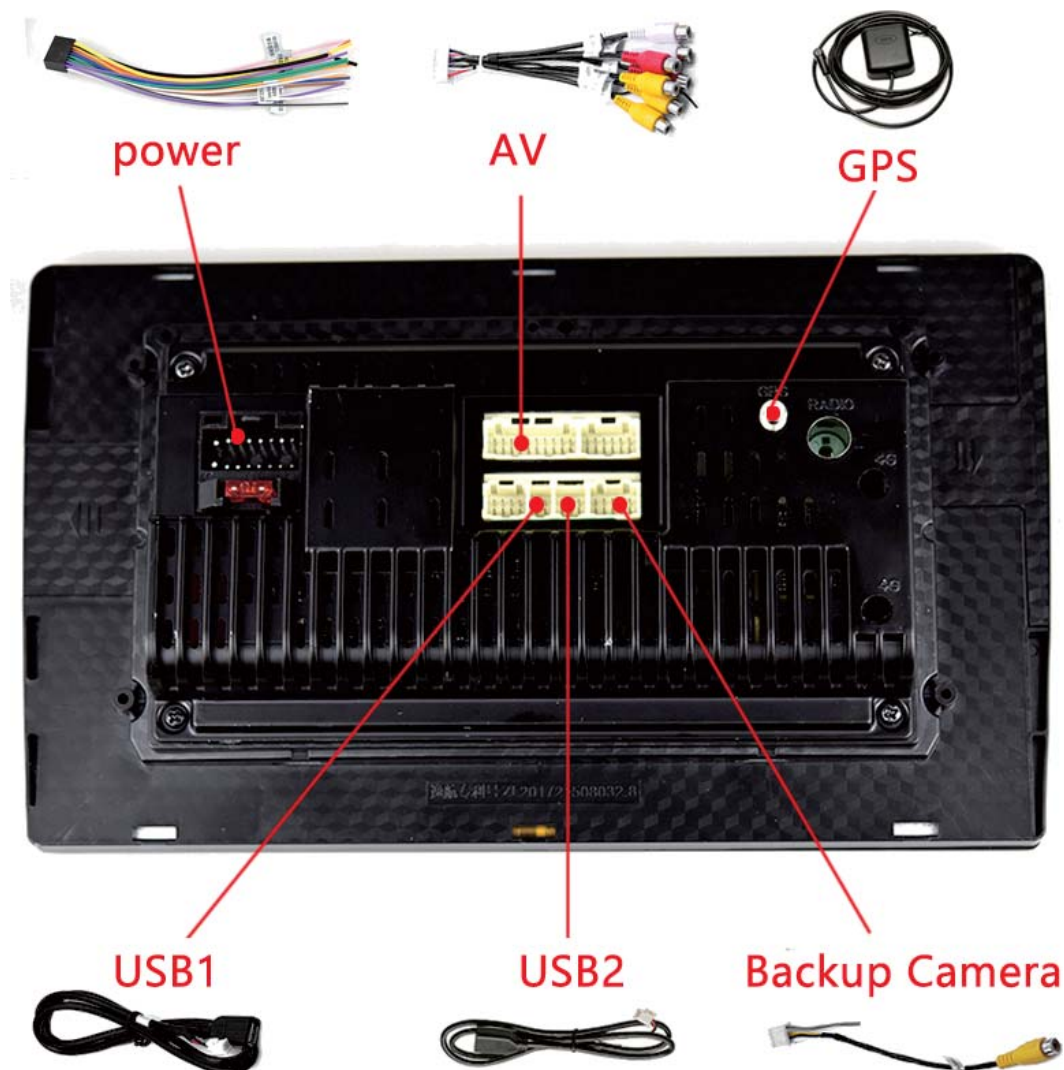
# Android Car Multimedia Player Installation Manual

## Precautions for use

To ensure the safety, be sure to do the following basic requirements:

1. Please read all relevant instructions carefully before using the unit. If the unit is damaged due to improper operation, the warranty will not be available.
2. This device is a 12V machine and can only be used on a 12V power supply.
3. To ensure safe driving and avoid illegal traffic regulations, do not watch programs or operate the unit while driving.
4. To prevent short circuits. Please do not place or leave any metal objects inside the device.
5. To avoid short circuits. Do not allow the unit to come into contact with rain.
6. Please use this device according to this manual. Do not open the unit for maintenance. If there is any repair, please go to the professional repair station for repair.
7. When the engine is off, do not use the car audio for a long time, otherwise it will run out of battery power.
8. Do not touch or tap the screen with a sharp object.
9. Thank you very much for using our Android car navigation system.

## Product back display



# Common settings

## 1.How to set car model

\*This setting is only required for some models. If your car does not need can box, please ignore this option.

M1/M5: Car Setting→Factory Setting→PW:8888 →CanBus setting

\*Please perform this operation in an online state. If it is prompted that the update is in progress, please wait for the update to complete before proceeding.

\*Please select the correct CanBus brand in the left window. If you are unable to confirm the CanBus manufacturer, please provide the CanBus photo to the seller for confirmation. Then select the car make and model in the right window.

## 2.How to set the logo:

M1/M5: Car Setting→Logo Setting→INTERNAL LOGOS

## 3.How to set the language:

M1/M5: Car Setting→Android Setting→Go to setting→System→Languaes & input

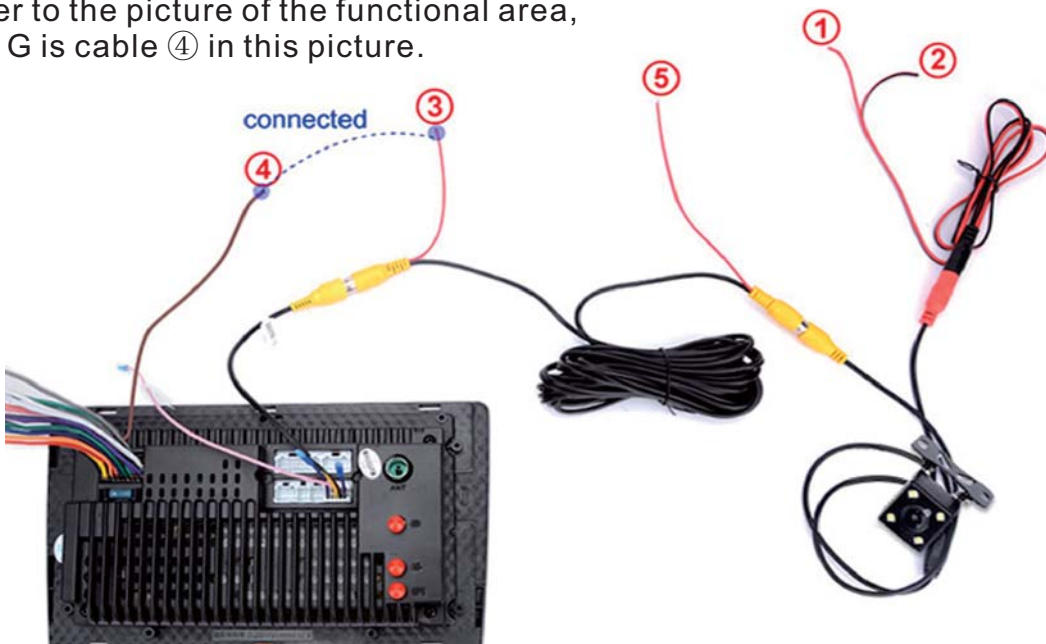
## 4.How to learn in the steering wheel control function?

M1/M5: Car Setting→Steering Learn

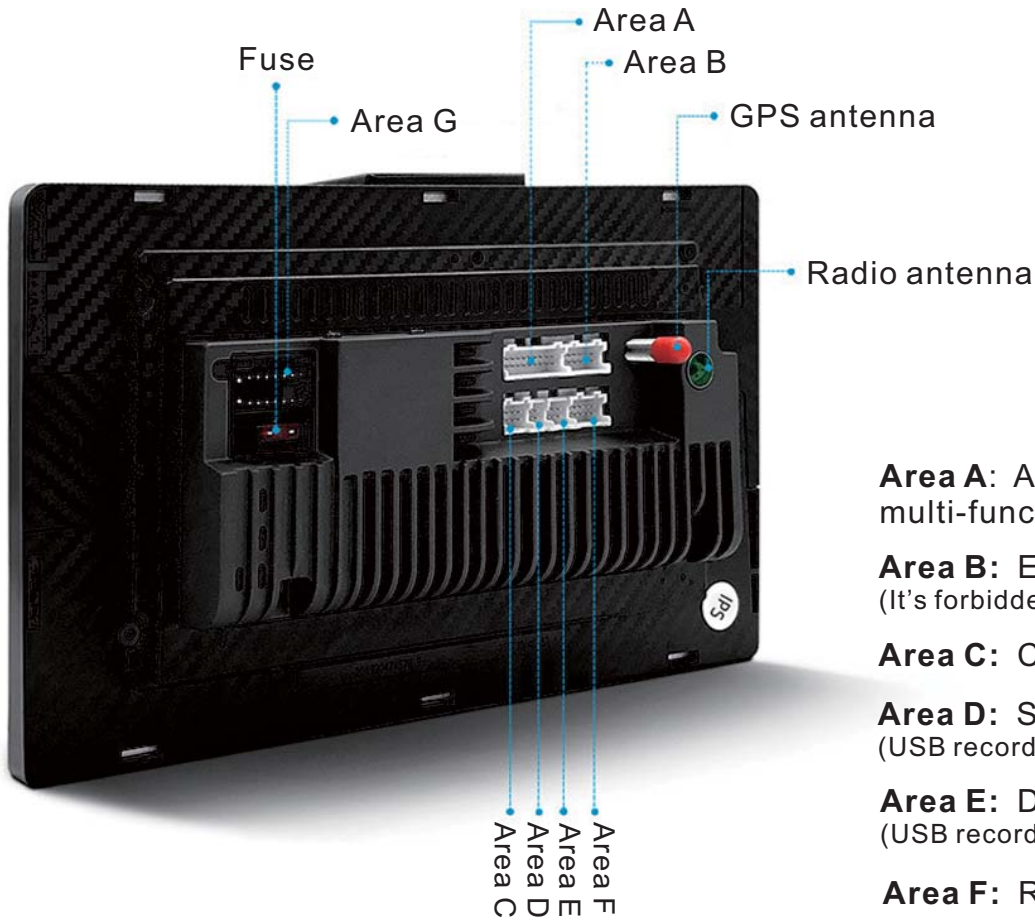
## 5.Rear camera installation method

- 1)Red cable ① is connected to the backup light "+" ;
- 2)black cable ② is connected to the backup light "-" ;
- 3)The reversing detection cable ④ Brown color is connected to the red cable ③ which extending from the video input cable ;
- 4)Red cable ⑤ is connected to the backup light "+" .

\*If you don't know the location of cable ④, please refer to the picture of the functional area, G5 in Area G is cable ④ in this picture.

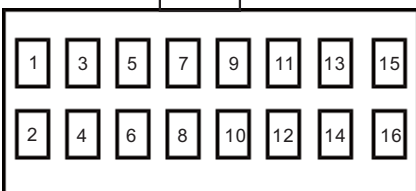


# Android Workstation Function Area

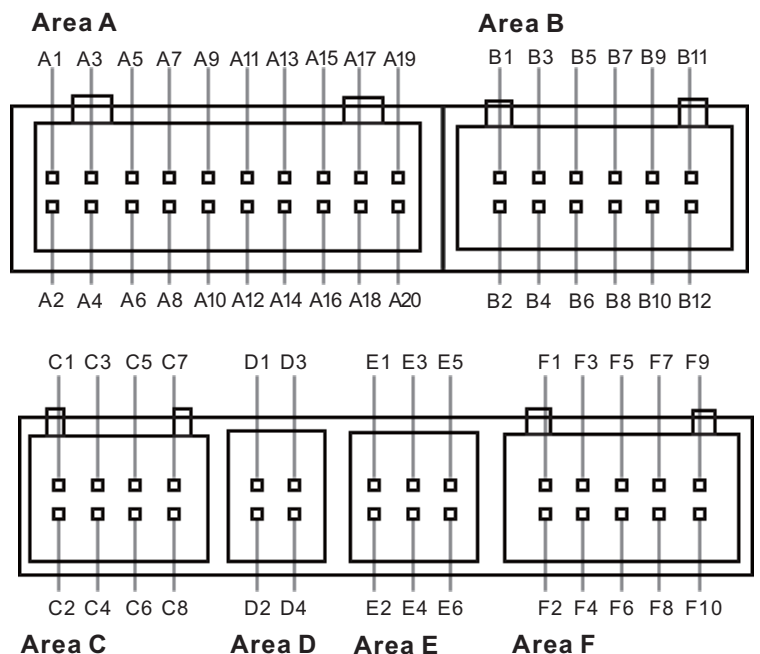


- Area A:** Audio and video multi-function interface
- Area B:** Expansion reserve (It's forbidden to insert other wires)
- Area C:** CAN box interface
- Area D:** Single USB cable (USB recorder / U disk)
- Area E:** Dual USB cable (USB recorder / U disk /tire pressure)
- Area F:** Reversing video
- Area G:** Pigtail interface

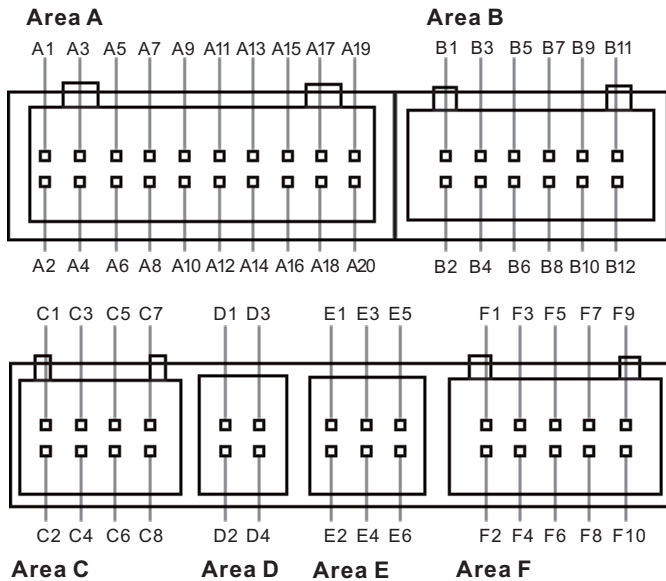
## Area G



- G1:GND power line
- G2:B+ power
- G3:ACC key switch
- G4:ILL headlight detection
- G5:Back-up detection line
- G6:Steering Wheel Learning-1
- G7:Steering Wheel Learning-2
- G8:Automatic antenna power
- G9:FR\_ Speaker front right
- G10:RL\_ rear left speaker
- G11:FR + speaker front right
- G12:RL + speaker rear left
- G13:FL + speaker front left
- G14:Right after RR + speaker
- G15:FL + speaker front left
- G16:Right after RR-horn



# Android Workstation Interface Definition



- A1: AMP\_POW amplifier control  
A2: GND ground wire (including audio RCA\_FL / RCA\_FR)  
A3:AUXIN\_R Right channel input  
A4:RCA\_FL Front left channel input  
A5:AUX IN\_L Left channel input  
A6:RCA\_FR Front right channel input  
A7:LIN  
A8:GND Ground(Including audio AUXIN\_L / AUXIN\_R)  
A9:CAN2\_H  
A10:GND Ground(Including video CVBS\_IN2)  
A11:CAN2\_L  
A12:GND Ground (Including video CVBS\_IN1 / CVBS\_OUT)  
A13:CAN1\_H  
A14:AV\_OUT(Video output)  
A15:CAN1\_L  
A16:SUB subwoofer output (reserved)  
A17:CVBS\_IN2 Video input 2  
A18:CVBS\_IN1 Video input 1  
A19:MIC-Microphone- / CAN3\_H (reserved)  
A20:MIC-Microphone + / CAN3\_L (reserved)

- B1:MIPI\_DN0                      B7:SCL0  
B2:MIPI\_DP0                      B8:SDA0  
B3:MIPI\_DN1                      B9:GPS 5V\_CLT  
B4:MIPI\_DP1                      B10:MIPIS\_RST  
B5:MIPI\_CLKN                    B11:+14V  
B6:MIPI\_CLKP                    B12:GND

- C1:GND ground (including audio AUX2\_L / AUX2\_R)  
C2:POW\_12V Controlled 12V power supply (reserved)  
C3:AUX2\_L Audio  
C4:AUX2\_R Audio  
C5:KEY\_RST Reset button (reserved)  
C6:IPOD\_DET(Reserved)  
C7:RX (Connect to plug-in protocol box TX)  
C8:TX (Connect to plug-in protocol box TX)

- D1:USB\_5V USB powered  
D2:USB\_DP0 USB0  
D3:GND USB Power ground  
D4:USB\_DN0 USB0

- E1:USB\_5V USB powered  
E2:USB\_DP2 USB1  
E3:GND USB power ground  
E4:USB\_DN2 USB1  
E5:USB\_DN2 USB2 (Y\_TXD)  
E6:USB\_DP2 USB2 (Y\_RXD)

- F1:XD\_TPMS Connect external plug OBD / tire pressure box TX  
F2:NC  
F3:XD\_TPMS Connect to external OBD / tire pressure box RX  
F4:GND Ground  
F5:POW\_5V 5V power supply  
F6:CAM\_CVBS Reversing video  
F7:BACK\_CAM\_POW(Powered by reversing camera)  
F8:GND Ground  
F9:BREAK1(Handbrake detection line)  
F10:WIFI\_ANT(WIFI antenna 30mm)